



INSTRUCTION BULLETIN

No. 9010959
Machine: T12
Published: 08-2013
Rev. 03

NOTE: DO NOT DISCARD the Parts List from the Instruction Bulletin. Place the Parts List in the appropriate place in the machine manual for future reference. Retaining the Parts List will make it easier to reorder individual parts and will save the cost of ordering an entire kit.

NOTE: Numbers in parenthesis () are reference numbers for parts listed in Bill of Materials.

Installation instructions for **kit number 9010355**

SYNOPSIS:

This kit contains the parts needed to install a vacuum wand kit on T12 scrubbers.
Please follow step-by-step instructions.

SPECIAL TOOLS / CONSIDERATIONS: NONE

(Estimated time to complete: 30 minutes)



PROTECT THE ENVIRONMENT

Please dispose of packaging materials, old machine components, and hazardous fluids in an environmentally safe manner according to local waste disposal regulations.



Always remember to recycle.

PREPARATION:

1. Empty the recovery tank. Refer to the Operator Manual for instructions how to empty the recovery tank.
2. Park the machine on a clean level surface, turn off the machine, and remove the key.

FOR SAFETY: Before leaving or servicing machine, stop on level surface, turn off machine, and remove key.

INSTALLATION:

1. Remove the existing recovery tank vacuum hose from the machine. Discard the vacuum hose. (Fig. 1)
2. Remove the vacuum fan cover from the machine. Set the mounting hardware aside. (Fig. 1)

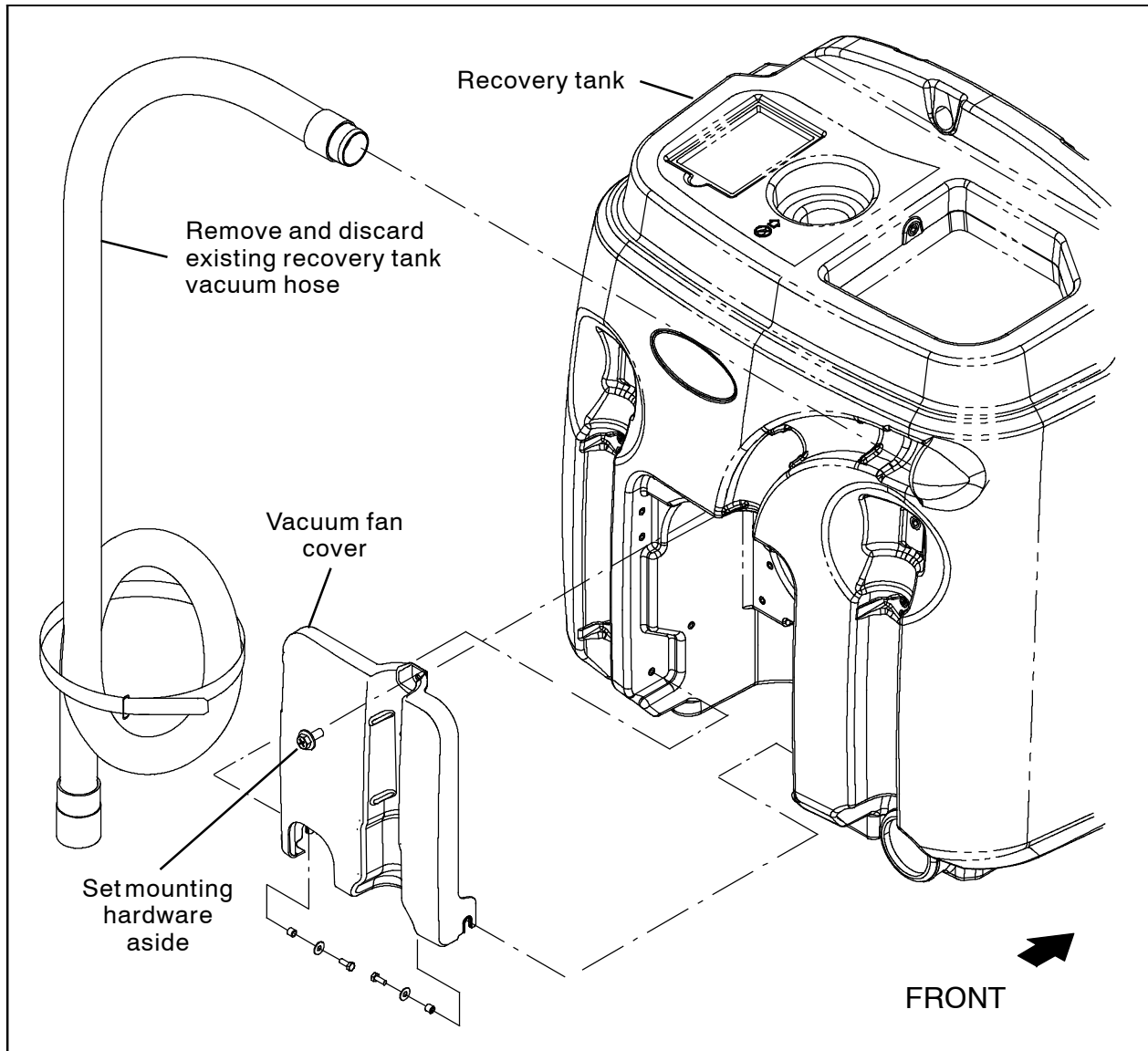


FIG. 1

3. Drill two holes into the vacuum fan cover.
(Fig. 2)

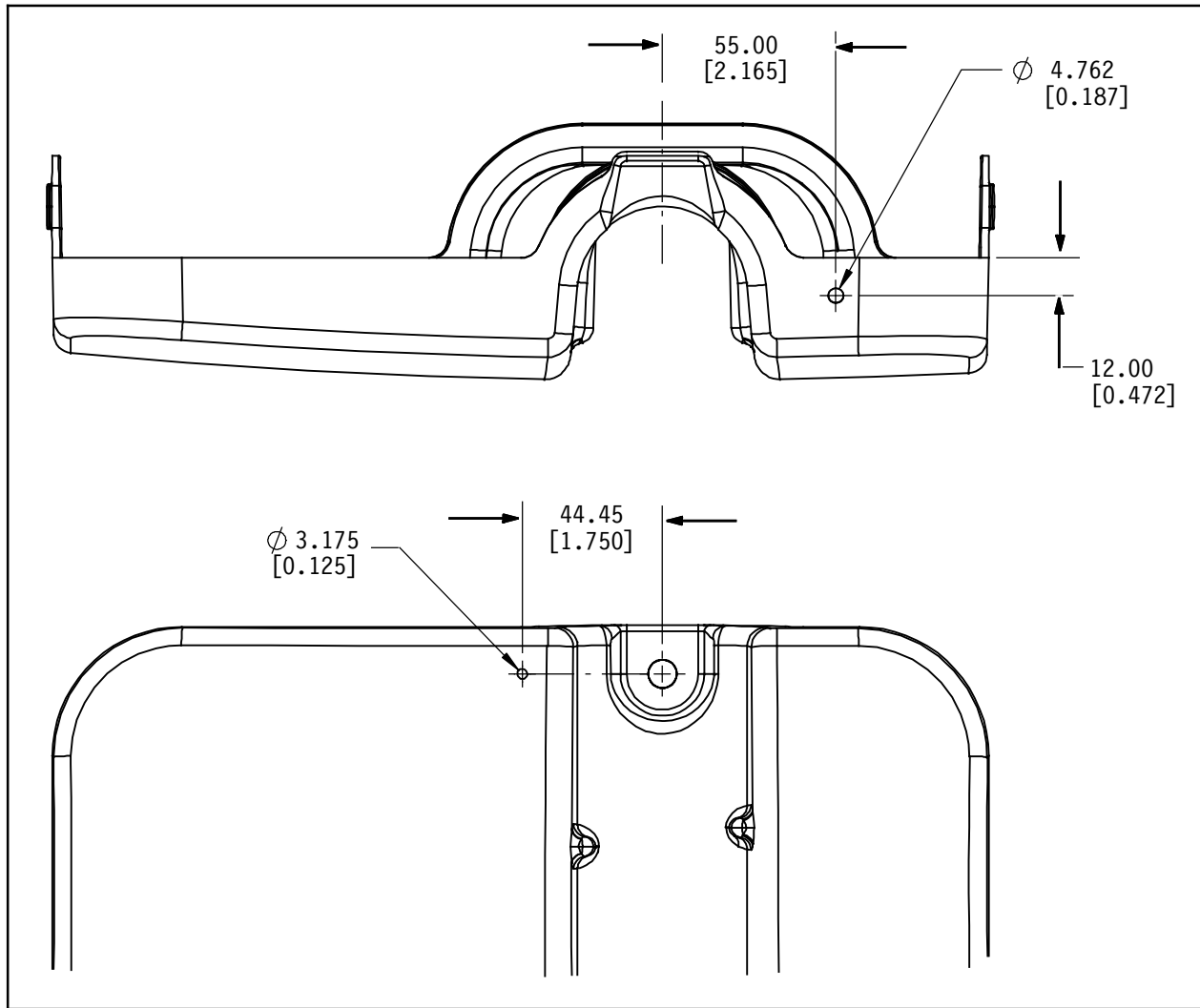


FIG. 2

4. Use a rivet (16) and flat washer (17) to install the retainer strap (15) onto the vacuum fan cover. (Fig. 3)
5. Use a rivet (19) and a flat washer (20) to install the snap (18) onto the vacuum fan cover. (Fig. 3)
6. Reinstall the vacuum fan cover onto the recovery tank. (Fig. 3)
7. Install the adapter cuff (1) onto the rear squeegee assembly. (Fig. 3)
8. Install the vacuum wand handle (8) onto the swivel adapter (10). (Fig. 3)
9. Install the vacuum wand hose (13) onto the vacuum wand handle (8) and swivel adapter (10). (Fig. 3)
10. Insert the loose end of the vacuum wand hose (13) into the recovery tank. (Fig. 3)
11. If necessary, move the port cover (3) from over the hole in the wand (2). (Fig. 3)

Note: Most of vacuum wand assembly is pre-assembled. **Do Not** disassemble vacuum wand assembly

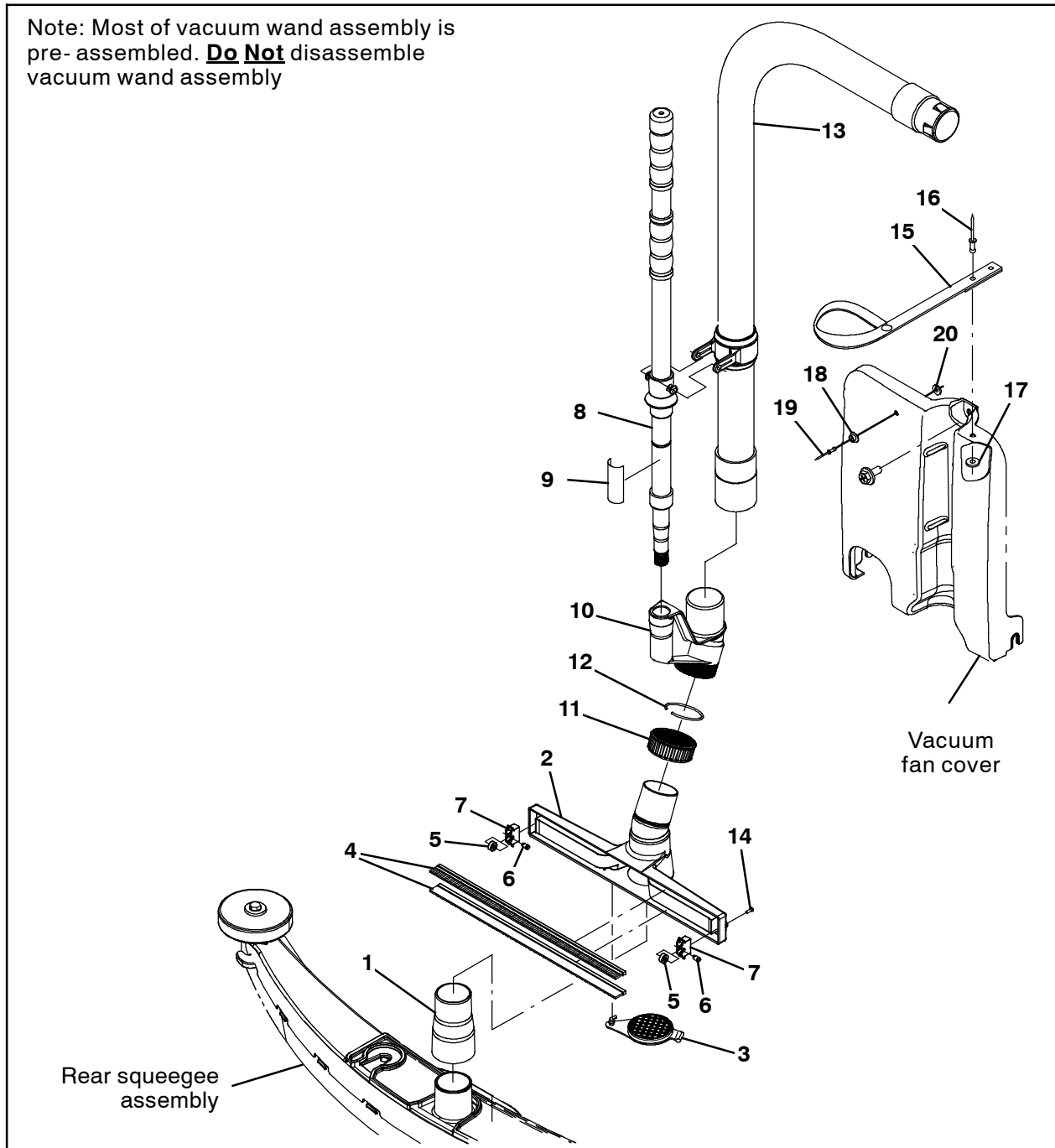


FIG. 3

12. Install the vacuum wand assembly onto the adapter cuff (1) installed on the rear squeegee assembly and insert the vacuum hose into the vacuum hose recess in the recovery tank. (Fig. 3 / Fig. 4)
13. Snap the retainer strap (15) onto the vacuum fan cover (21) to secure the vacuum wand assembly to the machine. (Fig. 3 / Fig. 4)
14. Start and test the machine. Operate the vacuum wand to ensure it functions. Refer to Operator Manual for instructions how to operate the vacuum wand.

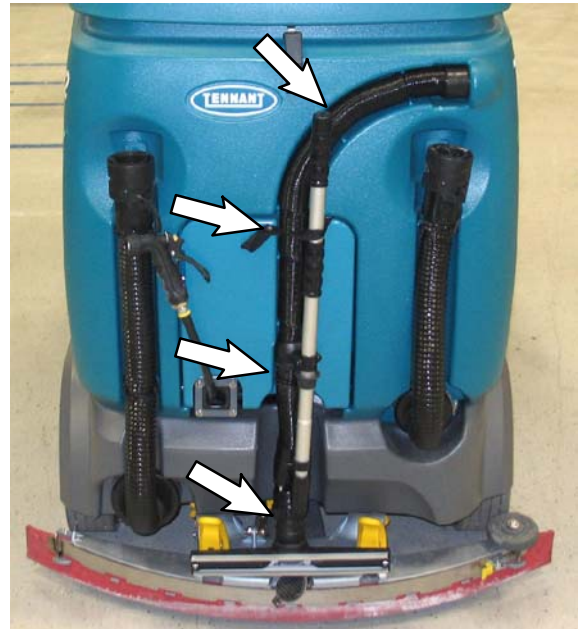


FIG. 4

Bill Of Materials For Wand Kit, Wet, CI [T12] - 9010355

Ref.	Tennant Part No.	Description	Qty.
▽	9010355	Wand Kit, Wet, CI [T12]	1
▲	1 1060536	Cuff, Adapter, 1.75 X 2.00, PVC	1
▲	2 1060440	Squeegee, Hand	1
▲	3 1060691	Plug, Adapter, Port	1
▲	4 1061356	Retainer, Blade, Sqge, 14.2l	2
▲	5 1061570	Bearing, Ball, 0.24b 0.51d 0.20w [2seal]	2
▲	6 1061571	Pin, Axle, Brg	2
▲	7 1022671	Housing, Sqge, Holder, Wheel, F/609648	2
▲▽	8 9008155	Handle Kit, Wand, Afmkt	1
▲▲	9 1062659	Label, Opertnl, Vacuum Wand Handle	1
▲	10 1060708	Adapter, Swivel, 1.75, Abs	1
▲	11 1060718	Nut, Compression, 2.25- 12, Abs	1
▲	12 1060720	Ring, Compression	1
▲	13 1200642	Hose Assy, Sqge, W/2cuff [Cassoday]	1
▲	14 140872	Screw, Pan, Phl, 06- 32 X 0.38, Tcut [B]	2
▲	15 1061811	Strap, Retainer, Handle	1
▲	16 1067350	Rivet, Blind, .188d X 0.53 X .62d, Alm	1
▲	17 86308	Washer, Flat, .19b .50d .06, Alm, Blind	1
▲	18 1061812	Catch, Snap, Push, Mal	1
▲	19 01335	Rivet, Blind, .125d X 0.44 X .25d, Alm	1
▲	20 02892	Washer, Flat, 0.12b 0.38d .03, Pl	1

TENNANT COMPANY
P. O. Box 1452
Minneapolis, MN 55440-1452